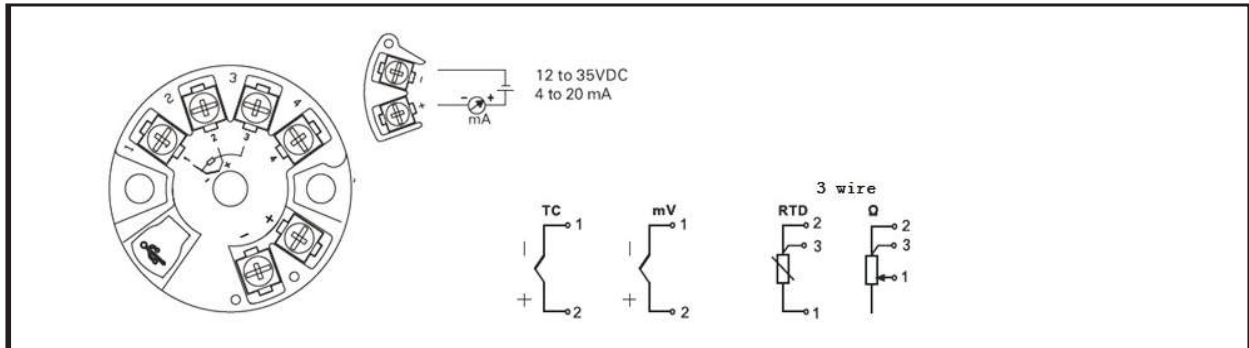


Features & Options

- Conversion of RTD or TC signal to 4-20 mA current loop
- Configurable sensor type and output scale
- Linearisation of RTD and TC characteristics
- Head mounted temperature transmitter is used for resistance thermometer (RTD) or thermocouple (TC)



Specifications

Compatible with : Pt100 (standard) or RTD, TC

Output signal: 4-20 mA

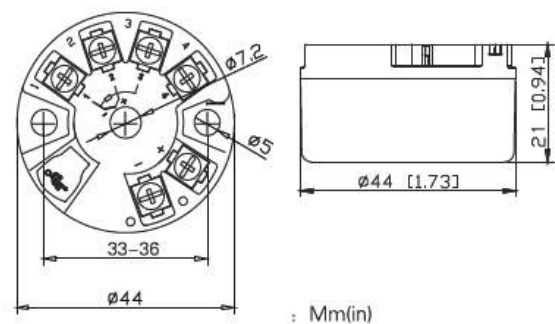
Accuracy: 0.1%FS

Supply voltage: 12...36 VDC, nominal 24 VDC

Operating conditions: -40...+85 °C, 5...95 %RH, non-condensing

Input connection: 2-, 3- or 4-wire RTD, 2-wire TC

Dimension



Ordering Information

| Part number | Temp. scale range | Output |
|-----------------|-------------------|---------|
| ECO-PT100-0/50 | 0...+50 °C | 4-20 mA |
| ECO-PT100-0/100 | 0...+100 °C | 4-20 mA |